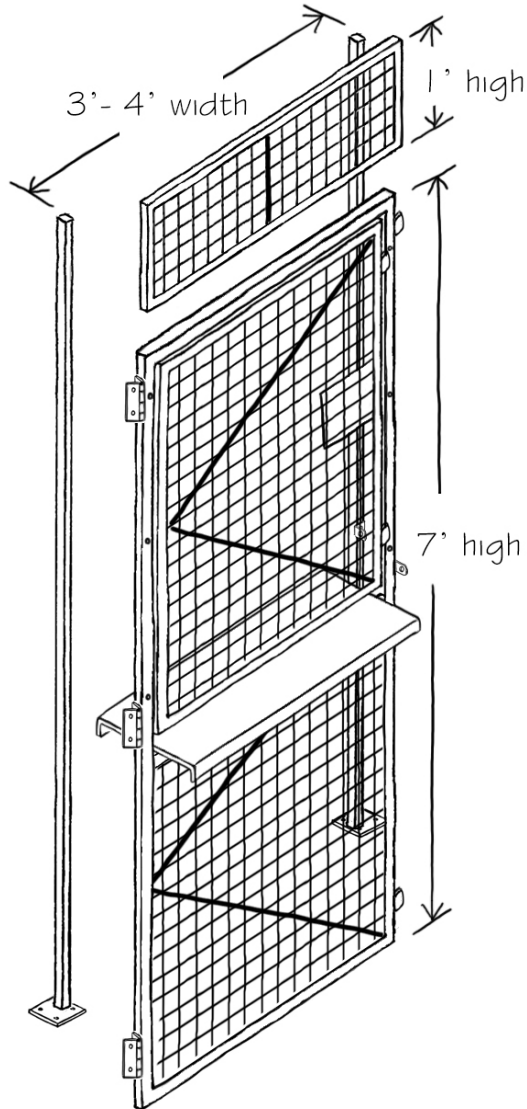


INSTALLATION MANUAL

For the most current release of this manual,
please visit our website at cogan.com

V.2015.1



Product	Safegarde® Partition Gate
Sub-product	Dutch door

- Equipped with a padlock hasp and a spring lock.
- Can be installed in 2 different orientation, refer to installation drawings for specific opening side.

 **Cogan®**

A Tradition of Quality Since 1901

cogan.com

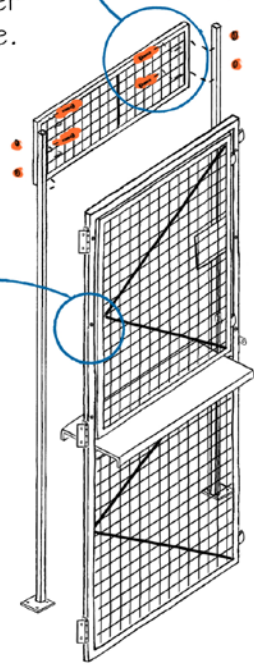
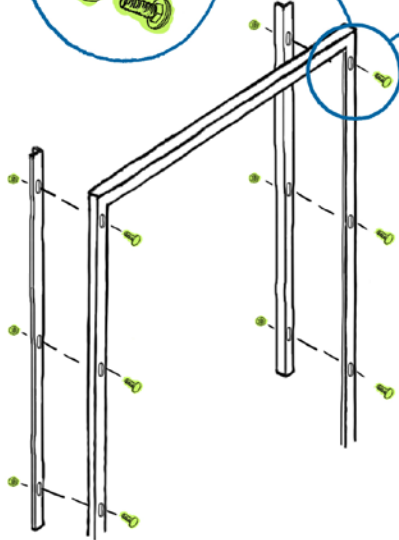
STEP 1
ATTACH TRANSOM PANEL

Bolt the transom panel between both posts by making sure to clear the full height of door. (refer to installation drawings)



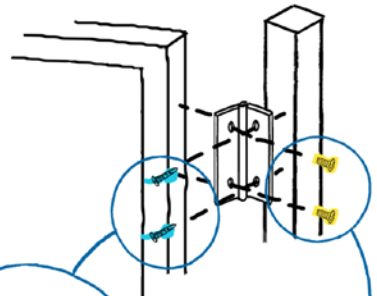
STEP 3
ANGLE

Locate the angle inside the upper part of the full height door frame. Then, secure the angle.



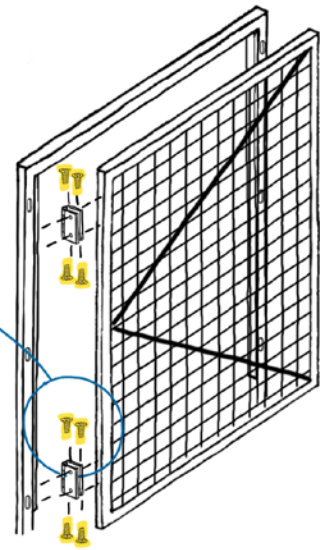
STEP 2
HINGES (SERVICE DOOR)

Screw the hinges to the door frame using 10/24 x 1/2" flat undercut screws. Then attach the door hinges to the post using ø1/4"x3/4" flat head tek screw. (refer to your installation drawings for orientation)



STEP 4
HINGES (SERVICE DOOR)

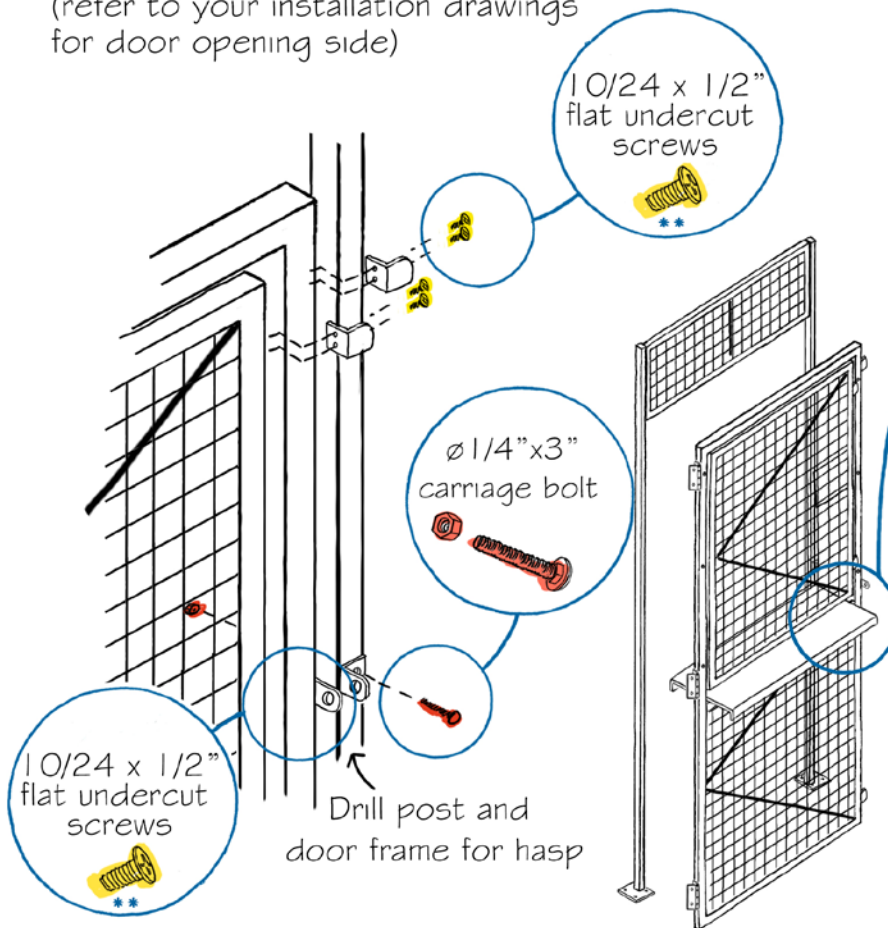
Screw the door hinges to the angles using 10/24 x 1/2" flat undercut screws.



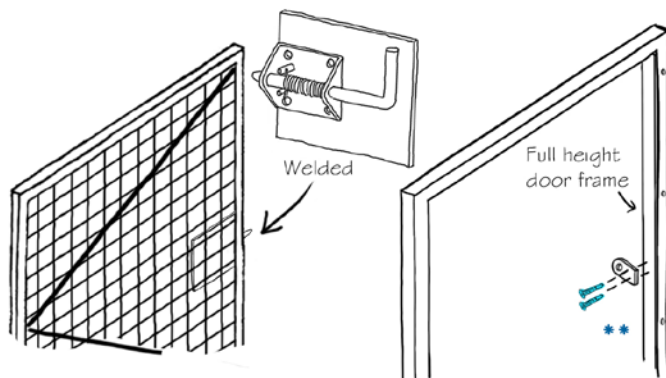
**Cogan installs during manufacturing.

STEP 5 DOOR STOPPER AND HASPS

Install 1 hasp on both post and door frame. Door stoppers are attached on top and bottom of each door frame. Be careful to locate them in the proper orientation. (refer to your installation drawings for door opening side)

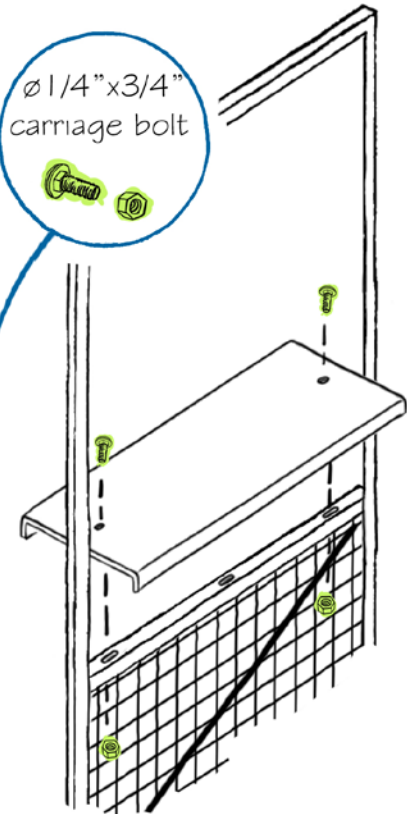


Spring lock is already welded on the door frame and the receiving lock plate is installed to the full height door frame during manufacturing.



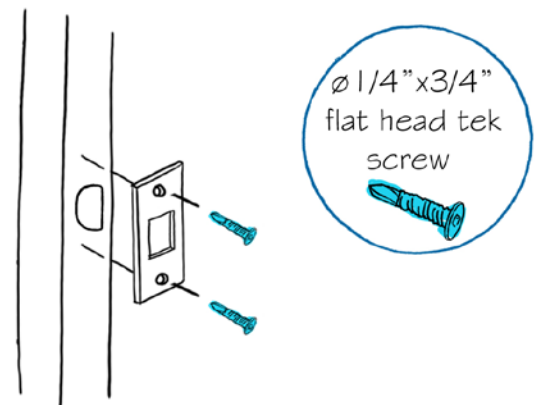
STEP 6 SHELF

Bolt the shelf on top of the welded angle on the full height door.



OPTIONAL: CYLINDER LOCKS

Key locks are factory assembled on door frame. Simply screw the plate onto the post.



**Cogan installs during manufacturing unless specified by the client.